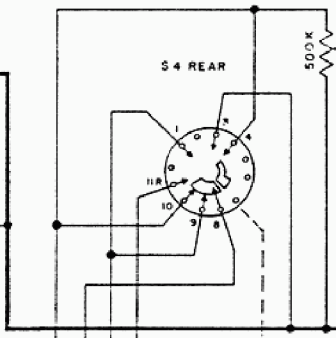
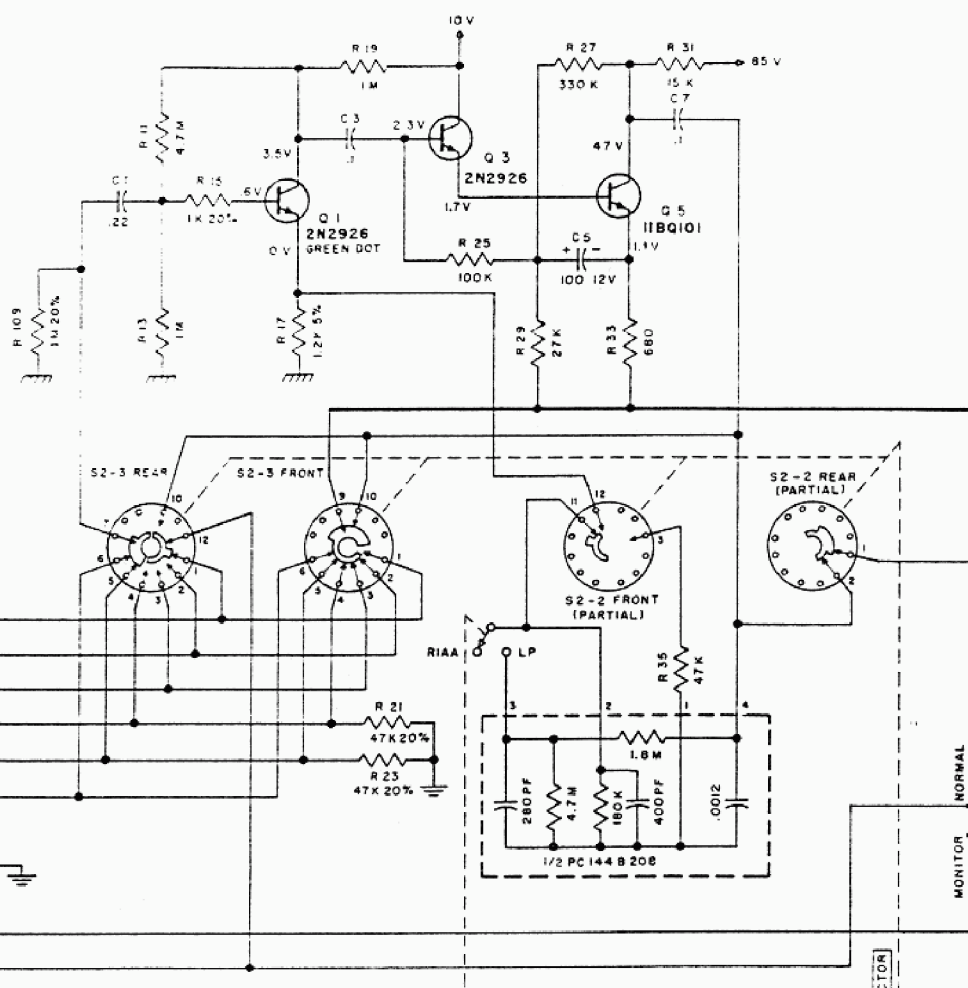
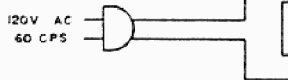
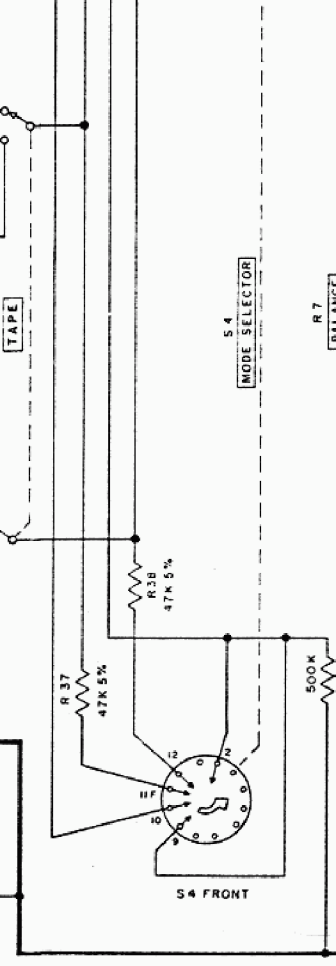
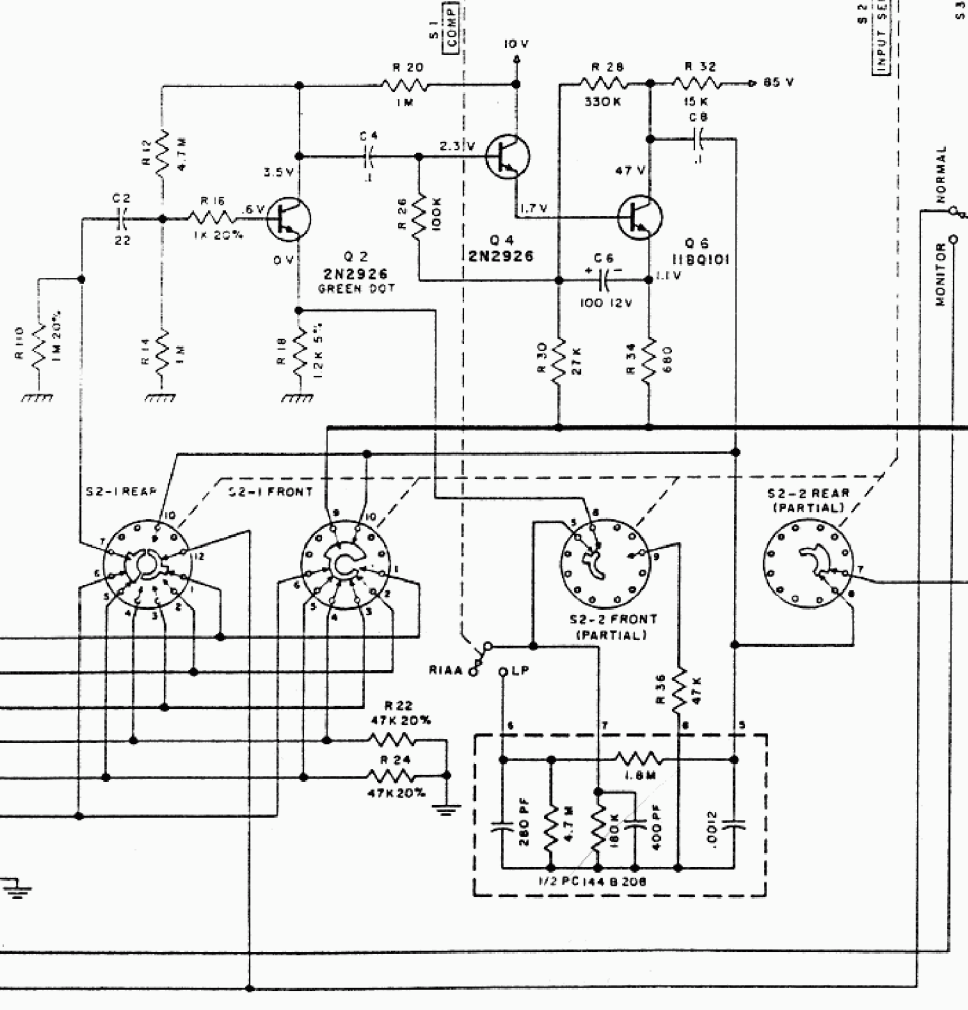
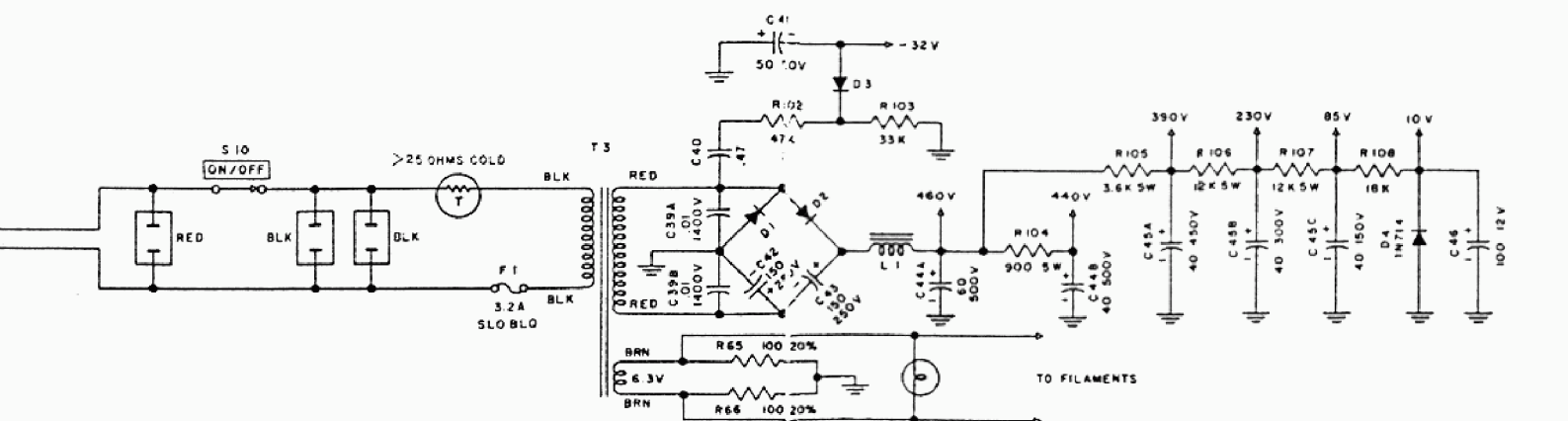
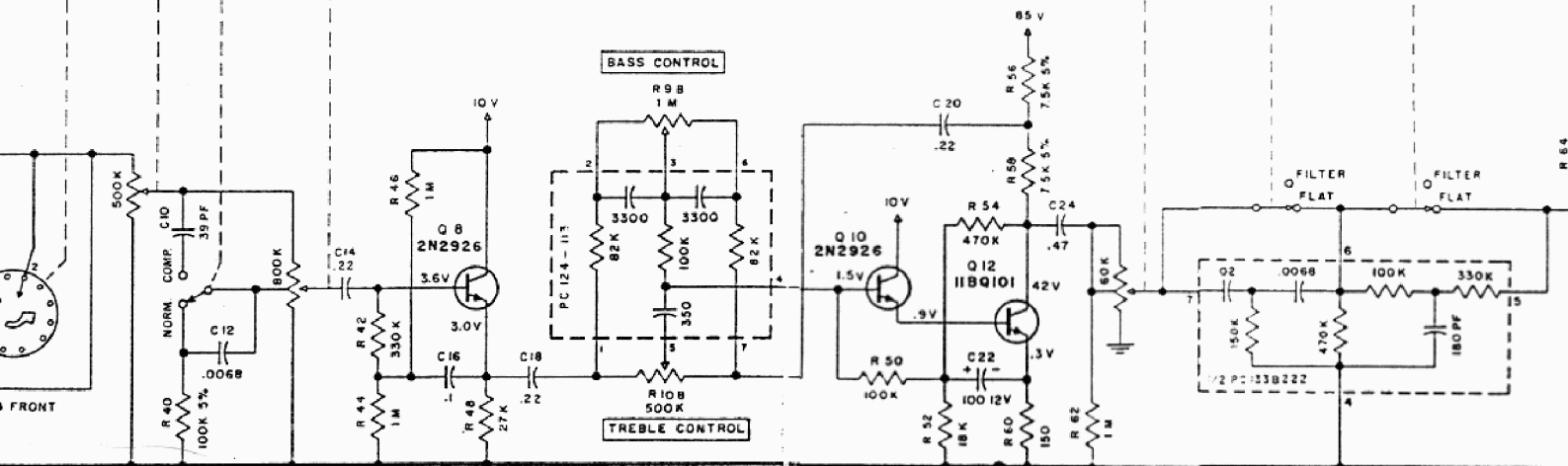
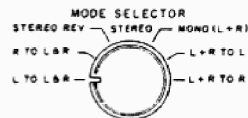
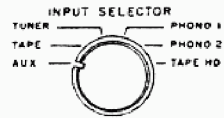
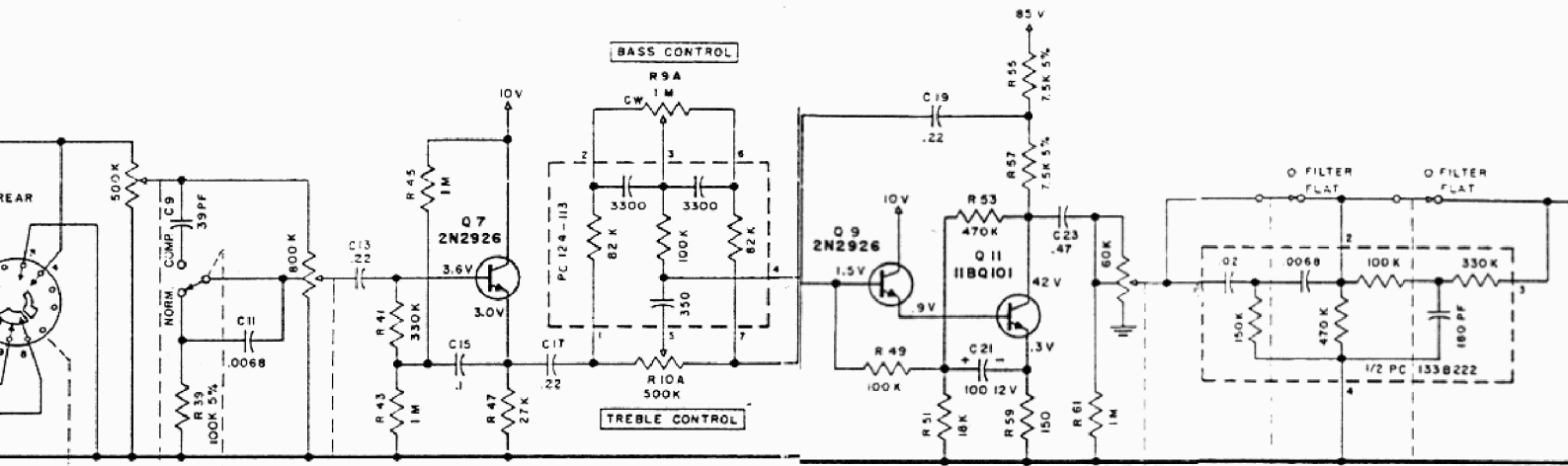


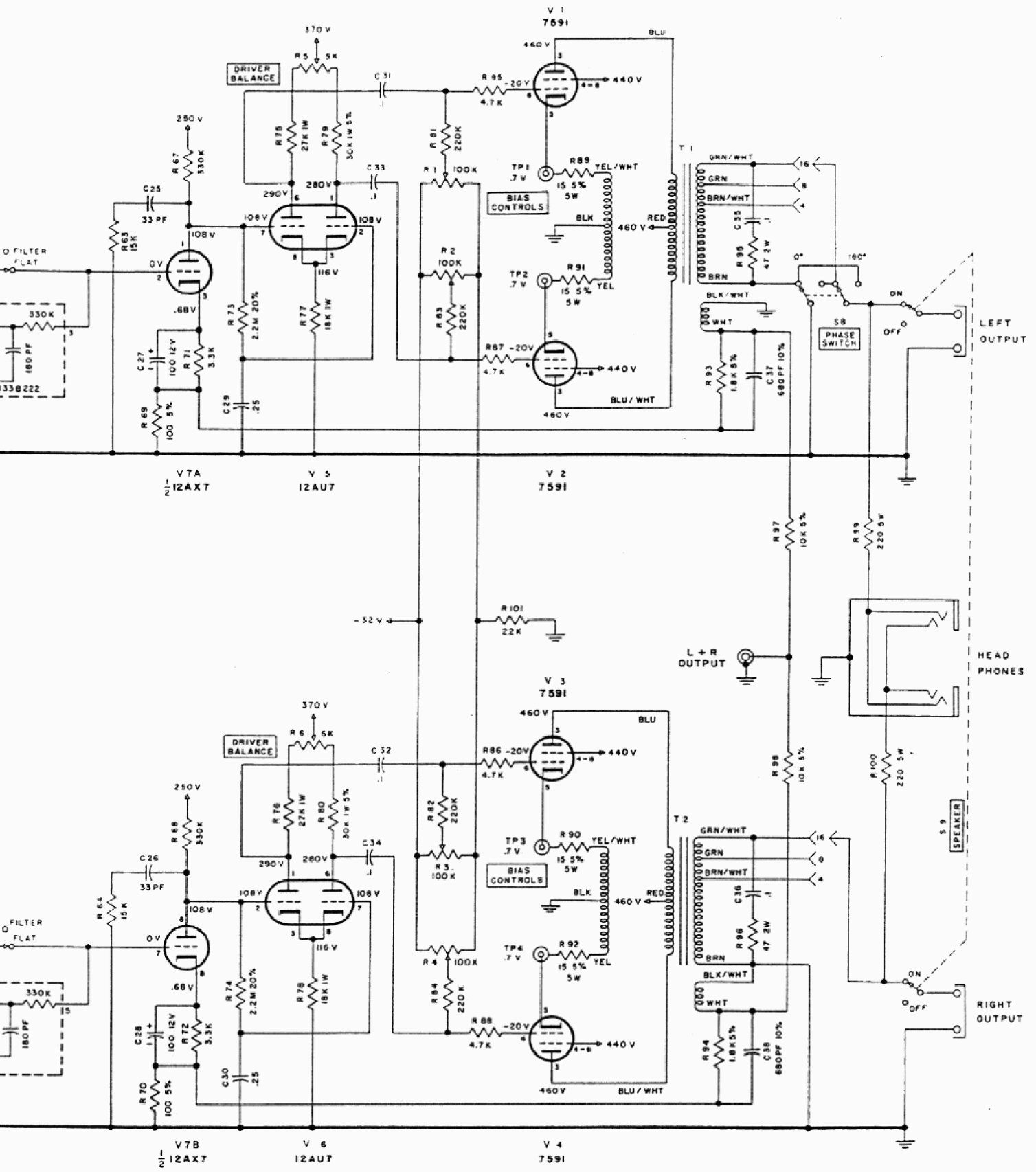
LEFT CHANNEL INPUTS
AUX
TAPE
TUNER
PHONO 1
PHONO 2
TAPE HD
MONITOR
TAPE OUTPUT



RIGHT CHANNEL INPUTS
AUX
TAPE
TUNER
PHONO 1
PHONO 2
TAPE HD
MONITOR
TAPE OUTPUT







UNLESS OTHERWISE SPECIFIED
 ALL RESISTORS $\frac{1}{2}$ W 10%.
 ALL CAPACITORS IN MFD.

SERIAL NO. 46C50 AND ABOVE



REV	A	192	AE
REV	ECN #		APP
TITLE: SCHEMATIC, MA 230 DRAWN BY: VG DATE: 3.10.63 CHECKED BY: DR DATE: 2/1/64			